



Instructions

JEEP JK A-PILLAR LIGHT BRACKETS

Thank you for purchasing your Jeep JK A-Pillar Light Brackets from AAL! We greatly appreciate your trust in our company. We take that purchase and your commitment to us very seriously. If you have any questions along the way, please don't hesitate to give us a call at 385.202.4188.

****Please read all instructions carefully****

**** Assembly of the driver and passenger side are IDENTICAL. This instruction manual will demonstrate how to install the DRIVER side, repeat the exact same steps for the passenger side. ****

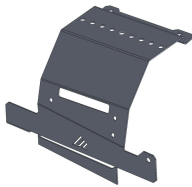
Tools Required:

- 4mm Allen Hex key
- 3mm Allen Hex Key

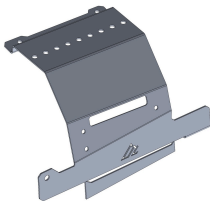
What's included:

Parts

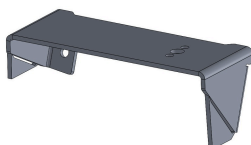
- Main Driver Bracket (1):



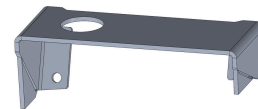
- Main Passenger Bracket (1):



- Driver Accessory (1):



- Passenger Accessory (1):



- Nut Flag (2):



Hardware

- M6x14mm Button Head Bolt 6



- M6x14mm Button Head Flange Bolt 2



- M5x20mm Button Head Bolt 4



- 3/4" Spacer 4



- M6 Nylon Lock Nut 6

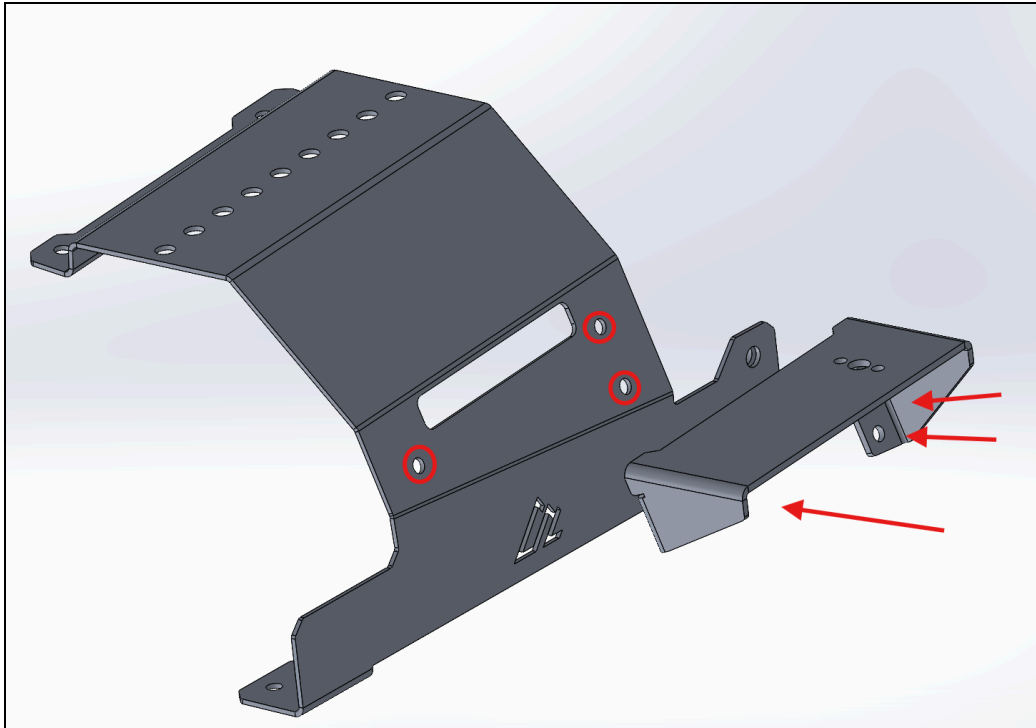


- M8 Nylon Washer 2



Step 1 - Attach the Accessory Bracket

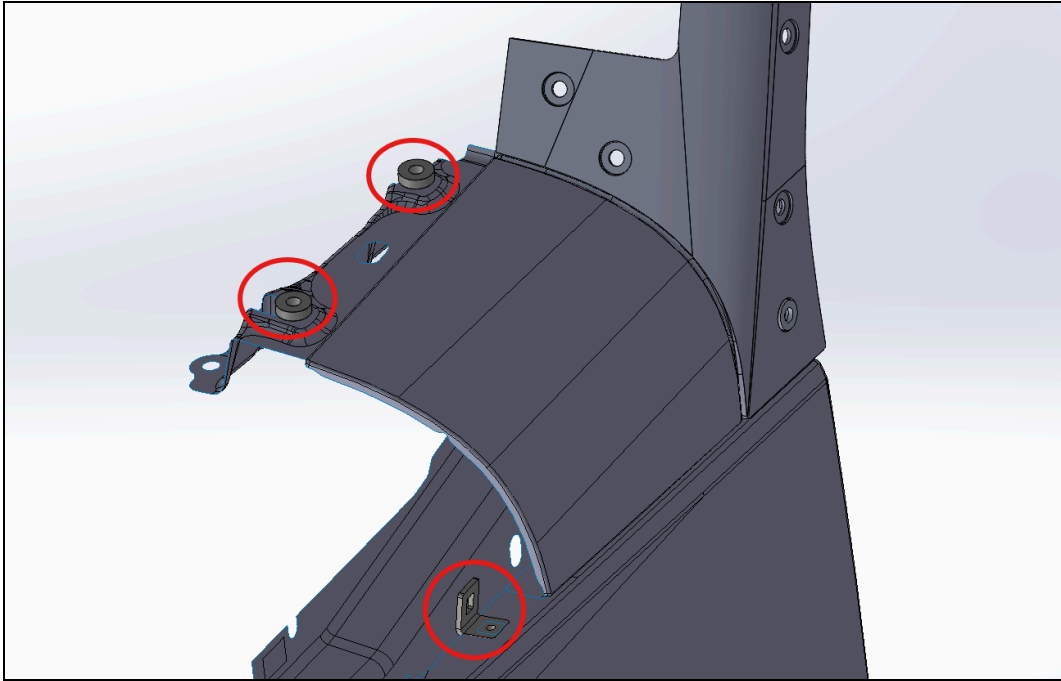
Find the main driver bracket and fasten the accessory bracket using (3) M6x14mm Button Head Bolts and (3) M6 Lock Nuts per side. Bolt through the front face of the bracket.



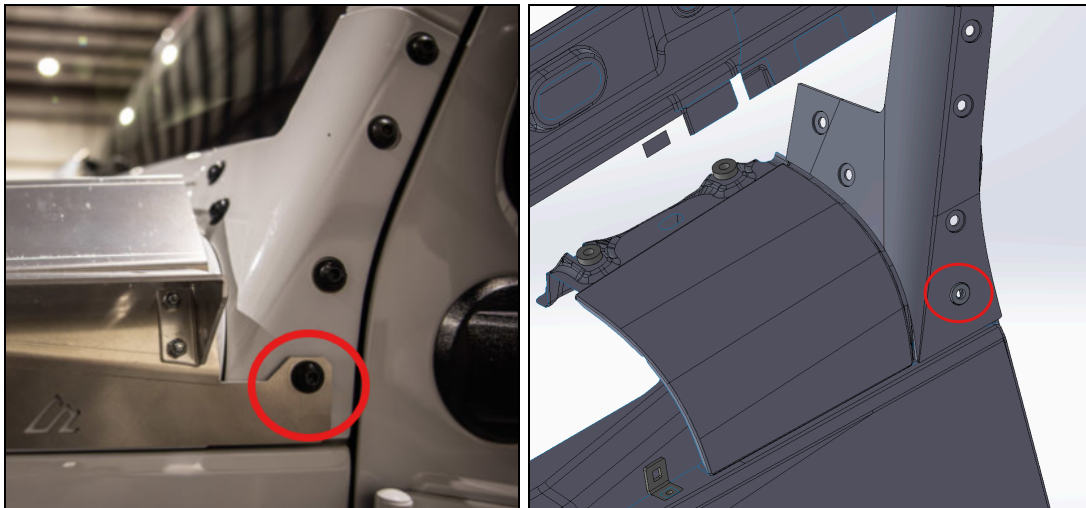
Step 2 - Fasten the Bracket to the Vehicle

Before fastening to the vehicle, we need to place (2) spacers and the nut flag at the locations highlighted below.

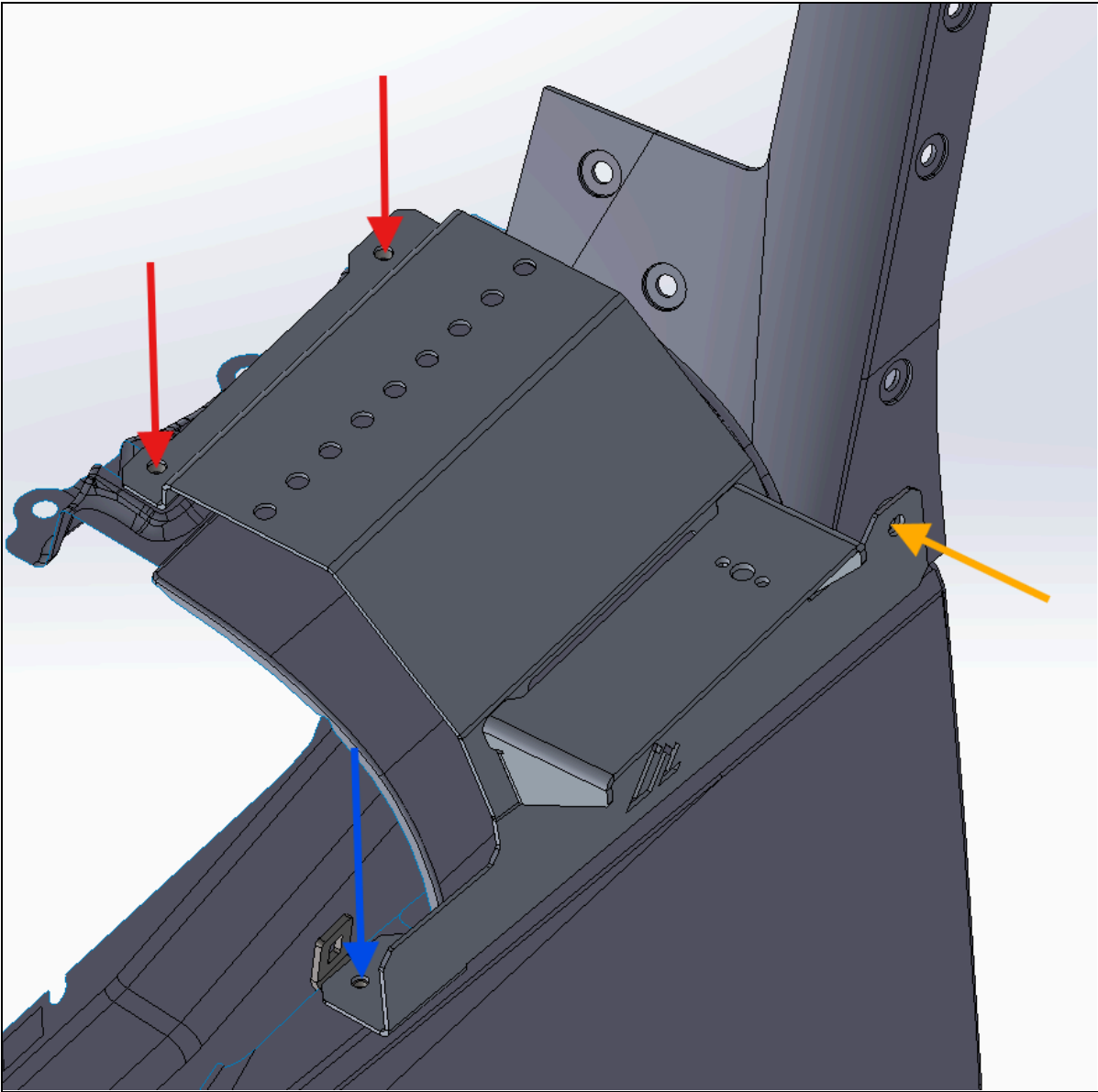
Note: You will have to open the hood of the car in order to access the highlighted position of the nut flag as it is shown below.



You also need to unscrew the following factory M8 Bolt on the side of the vehicle shown here. Be prepared to place a M8 washer in this spot, you will need it there before bolting in this corner of the bracket.



Now bolt the Bracket into place using (2) M5x20mm Button Head Bolts (blue) through the spacers, (1) M6x14mm Button Head Flange Bolt (red) through the nut flag and the factory M8 bolt through the M8 washer (orange)



Step 3 - Attach Your Equipment!

At this point the assembly of the brackets is complete (assuming you repeated the steps for the passenger side). You can now attach your equipment using the mounting holes provided in the bracket. We do not provide instructions on how to install products outside of our company



Share Your Photos!

We take great pride in building our products and we hope that pride extends to you after installing your Jeep JK A-Pillar Light Brackets. If you are able to share your photos online (Facebook and Instagram), please tag **@AmericanAdventureLab**. We would love to see how it turned out and give you some reciprocal attention in return!

Congrats! You're all done!

Thank you!

At American Adventure Lab, we strive to improve anywhere we can. If you experience any issues with this product or have any suggestions, please let us know.

If you have any questions or concerns, please don't hesitate to reach out to us at 385.202.4188 or via email at Support@erp.adventurelab.com.

