



Instructions

STARLINK MINI MOUNT - PACKOUT

Thank you for purchasing your Starlink Mini Mount - Packout from AAL! We greatly appreciate your trust in our company. We take that purchase and your commitment to us very seriously. If you have any questions along the way, please don't hesitate to give us a call at 385.202.4188.

****Please read all instructions carefully****

Tools Required:

- M3 Allen Wrench/Socket
- M4 Allen Wrench/Socket (Only needed if mounting offset.)

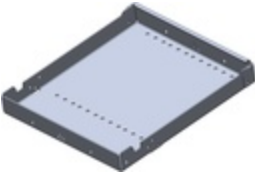
What's included:

Parts

Assembled:



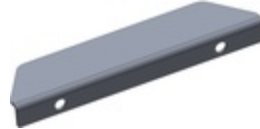
Base (1):



Flat Brace (1):



Angled Brace (1):



Clasp Bracket (1):



Nut Plate (4):



Hardware

M5x12mm Button Head Bolt

8



Prep

The Starlink Mini Mount - Packout comes preassembled, but, depending on your needs, it may need some minor disassembly. This mount provides options to be mounted centered over the Packout pattern, or offset to either side. This will allow you to run the Starlink Mini Mount on a Packout box even when you have more Packout accessories next to it.

Note: We recommend using a medium strength thread locker to make sure your bolts don't work loose and you lose your Starlink! This can be done one of two ways

Step 1 - Installing the Mount: Centered or Offset

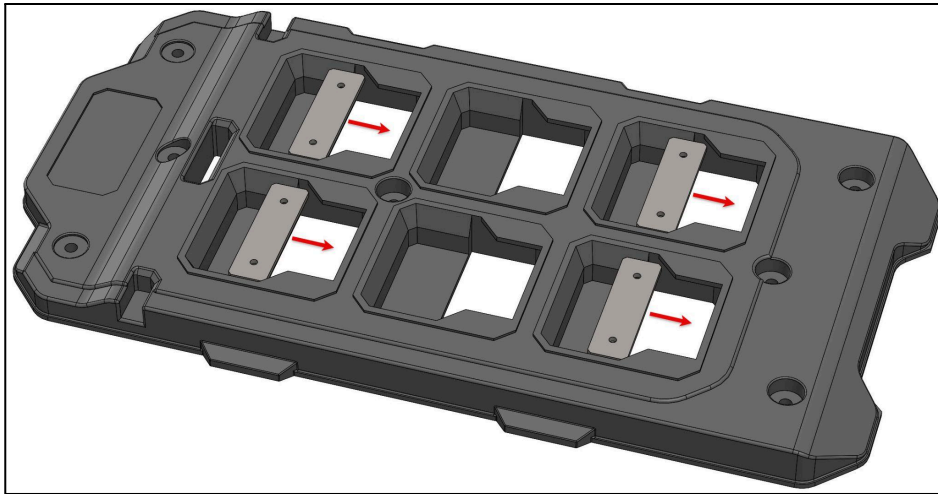
There are two options when it comes to installing the Starlink mount. Which one you need is dependent on if you plan on having two columns of packout accessories.

If you are installing the Starlink to a packout box that will be mounted by itself, you can install the Starlink mount in the centered position. To do so, follow part one of this step, directly below.

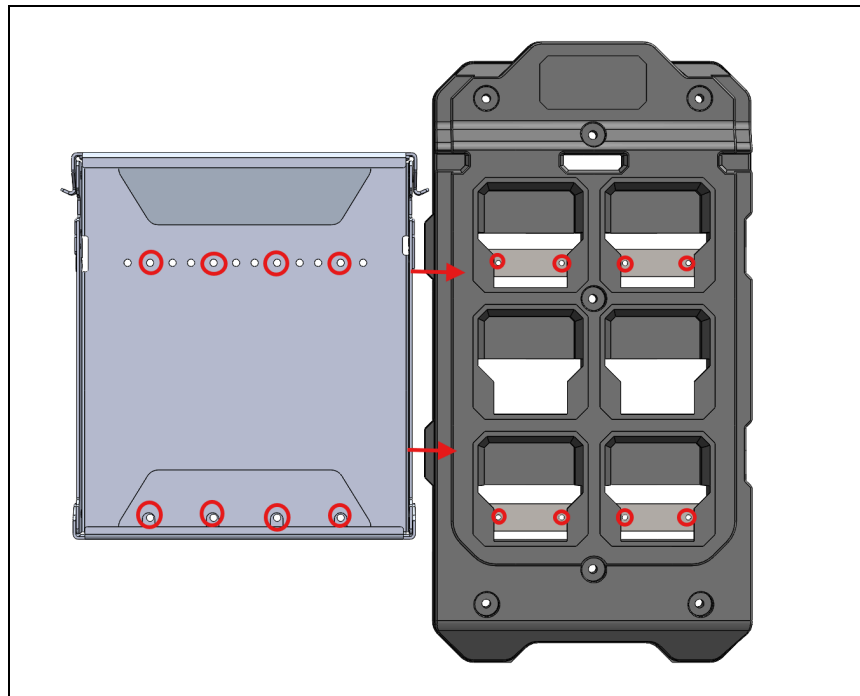
If you are installing the Starlink mount to a Packout box that will be mounted next to other Packout accessories, you will need to install the mount in the offset position. To do so, follow part two of this step below.

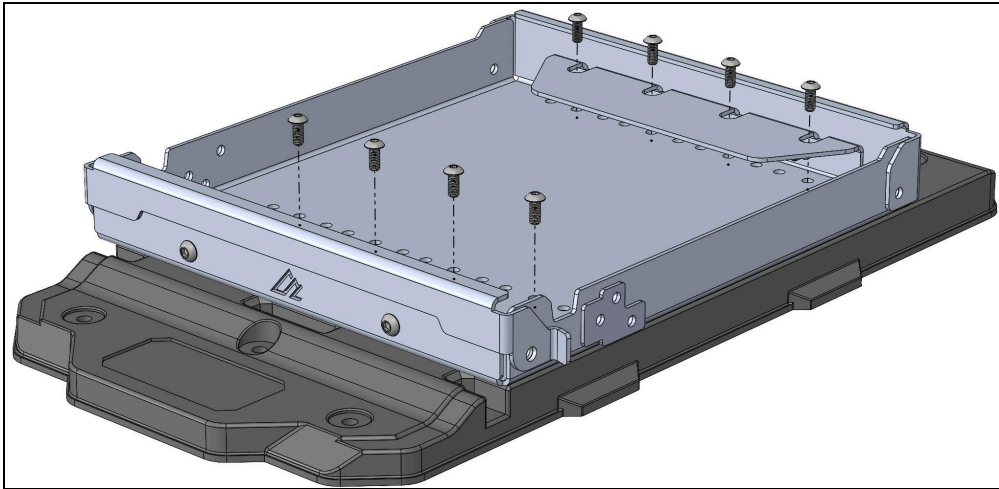
1) Centered Configuration

The first step in mounting in the centered position is to install the nutplates into the outer four packout openings.



Next, align the highlighted holes in Starlink Mount with the nutplates, and install the (8) M5 button head bolts and tighten.

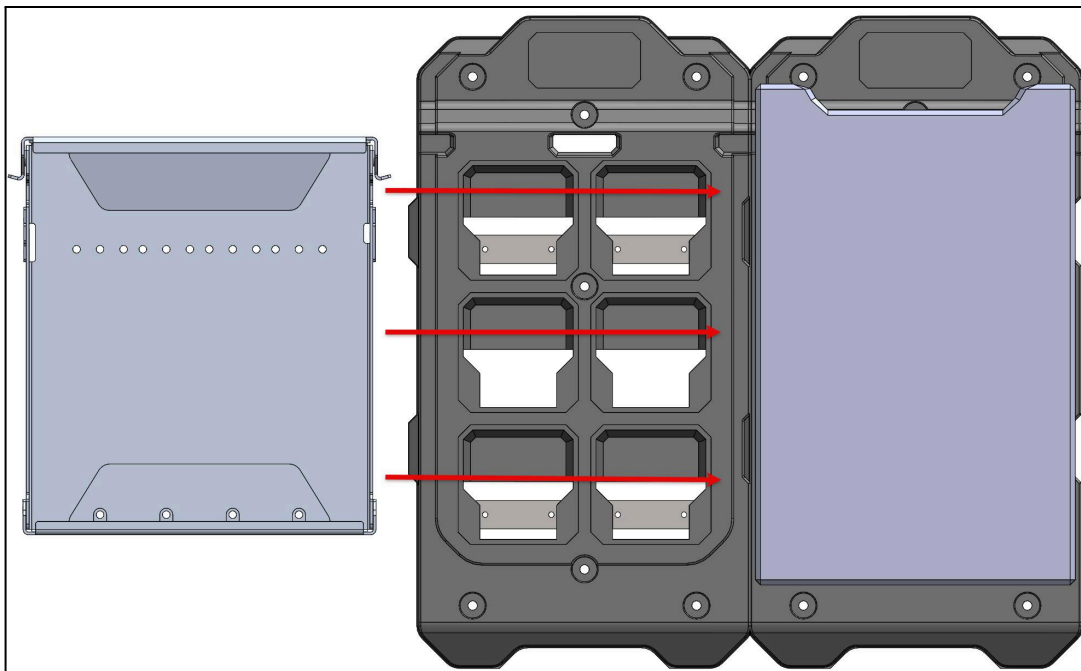




Finally, tighten the (8) M5 bolts using an M3 Allen wrench/socket, and you're ready for Step 2, installing your Starlink dish!

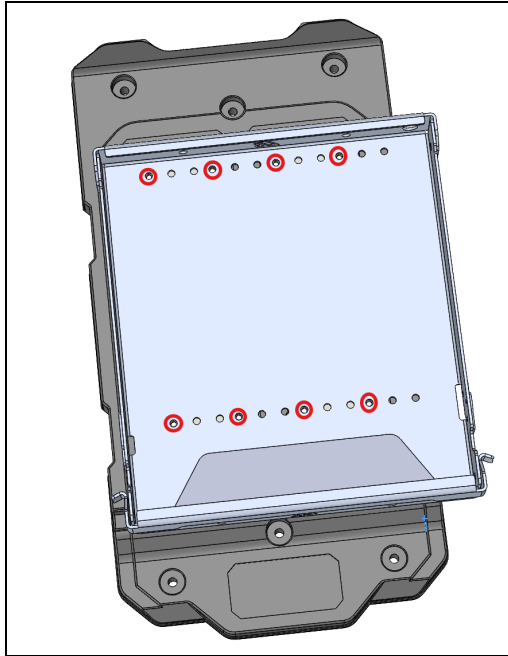
2) **Offset Configuration**

Begin by sliding the nut plates into the four outermost corners of the packout.

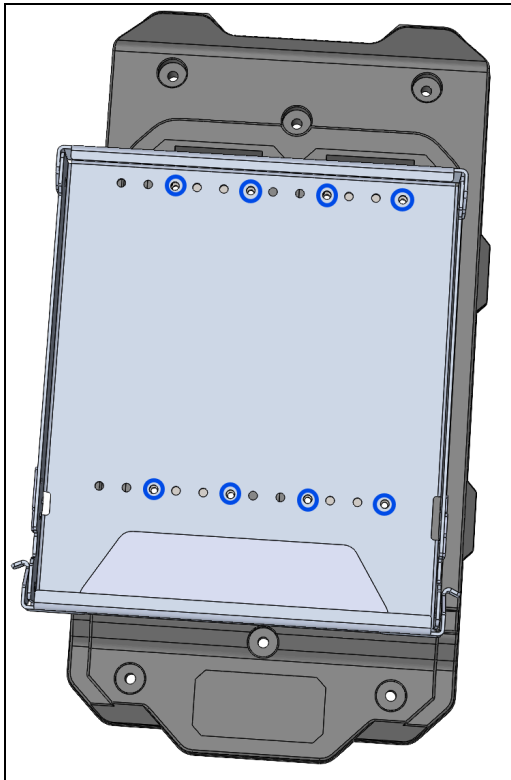


Note: In this configuration, the flat brace will need to be uninstalled by removing the (2) M6x14 button head bolts that are holding it in from the outside using an M4 Allen socket/wrench.

If you are installing the mount offset to the right side, as shown below, you will need to shift the mounting slightly to the right using the highlighted holes.



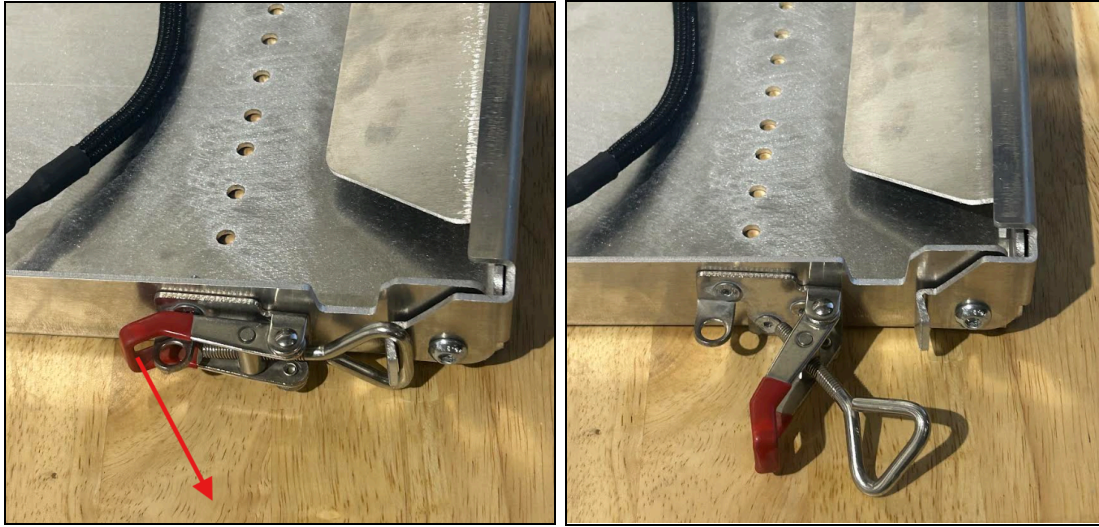
If you are installing on the left side as shown below, you will need to shift the mounting slightly to the left using the highlighted holes.



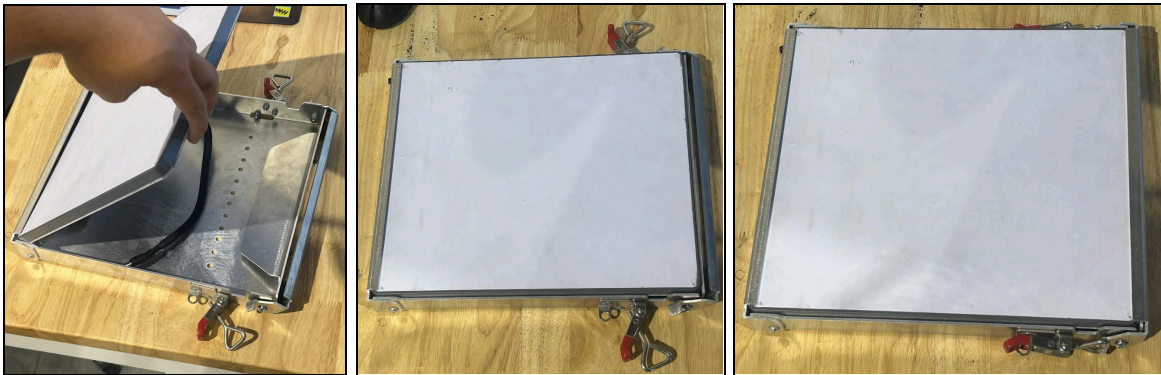
Finally, tighten the (8) M5 bolts using an M3 Allen wrench/socket, and you're ready for Step 2, installing your Starlink dish!

Step 2 - Install Starlink Mini Dish into the mount

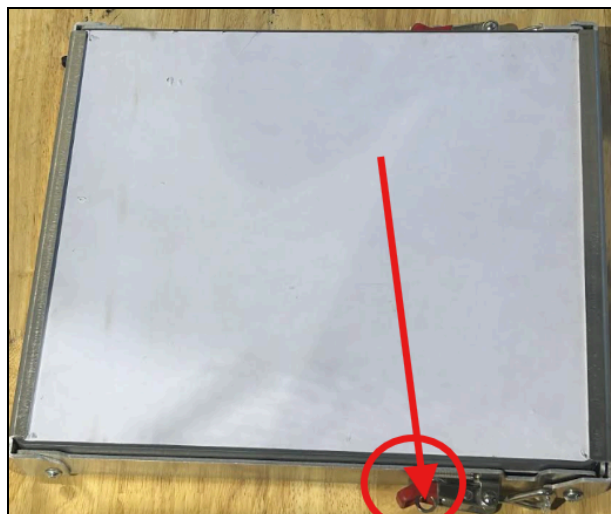
To Install the starlink dish, open the two preinstalled latches and pivot the clasp to open the mount.



Plug in the preinstalled power harness, and install Starlink dish into mount and close the clasp.



Adjust the tension on the latch to the desired amount and latch. You can also install the optional padlock if you purchased one.



Share Your Photos!

We take great pride in building our products and we hope that pride extends to you after installing your Starlink Mini Mount - Packout. If you are able to share your photos online (Facebook and Instagram), please tag **@AmericanAdventureLab**. We would love to see how it turned out and give you some reciprocal attention in return!

Congrats! You're all done!

Thank you!

At American Adventure Lab, we strive to improve anywhere we can. If you experience any issues with this product or have any suggestions, please let us know.

If you have any questions or concerns, please don't hesitate to reach out to us at 385.202.4188 or via email at Support@erp.adventurelab.com.

