



# Instructions

## SPARE TIRE STRAP SEPARATOR

---

Thank you for purchasing your Spare Tire Strap Separator from AAL! We greatly appreciate your trust in our company. We take that purchase and your commitment to us very seriously. If you have any questions along the way, please don't hesitate to give us a call at 385.202.4188.

**\*\*Please read all instructions carefully\*\***

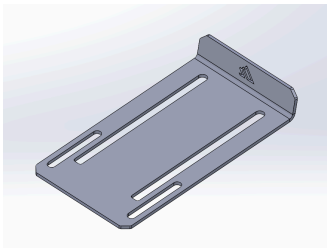
### Tools Required:

- 4mm Allen Key

### What's included:

#### Parts

- Strap Bracket 2



#### Hardware

- M6x14mm Button Head Flange Bolt 4

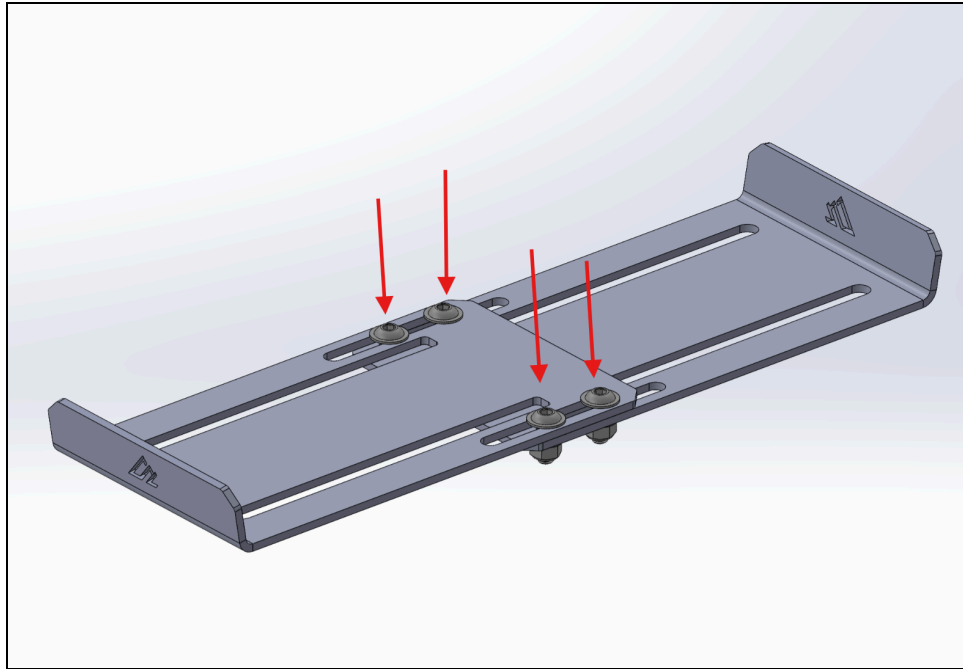


- M6 Nylon Locknuts 4



## **Install**

To install, simply align the slots of the strap brackets and slide them apart from one another to your desired distance. Once set, bolt through the front face of the bracket with the supplied bolts using 2 bolts per slot and fasten with the corresponding locknuts.



You can now weave the straps through the large slots and slide the straps laterally to whichever strap separation distance you prefer.



## **Share Your Photos!**

We take great pride in building our products and we hope that pride extends to you after installing your Spare Tire Strap Separator. If you are able to share your photos online (Facebook and Instagram), please tag **@AmericanAdventureLab**. We would love to see how it turned out and give you some reciprocal attention in return!

**Congrats! You're all done!**

**Thank you!**

**At American Adventure Lab, we strive to improve anywhere we can. If you experience any issues with this product or have any suggestions, please let us know.**

**If you have any questions or concerns, please don't hesitate to reach out to us at 385.202.4188 or via email at [Support@erp.adventurelab.com](mailto:Support@erp.adventurelab.com).**

